



DESCRIPTION

VM18 is a model made entirely of AISI304 stainless steel, with a hydroformed chamber of constant thickness, digital control panel, standard vacuum sensor. It is characterized by extreme robustness and ease of use. It can be equipped with inert gas injection, second rear sealing bar and slow air return at the end of cycle "softair". The quality and proven reliability of the machine and its components derives from the over twenty-year widespread presence on the global market, in all areas and all sectors.



SEALING BAR 16,5 inch
VACUUM PUMP 883 cf/h
SENSOR CONTROL

FEATURES

- Oil lubricated rotary vane vacuum pump, nominal speed 883 cf/h (25 m³/h);
- Vacuum level control through high precision sensor;
- Maximum vacuum 99.95% (0,5 millibars);
- 16,5" sealing bar, easily removable for cleaning;
- Removable sealing bar lifting device, with sealing cap for cleaning;
- Second rear sealing bar available as optional;
- Digital control panel with 7 keys and 3 digit display;
- 10 editable programs;
- Program for vacuum packaging ("Jars"-key) in containers;
- Adjustable sealing intensity;
- Pump oil dehumidification program;
- Resettable oil change alarm;
- Analog vacuum gauge for displaying the vacuum level;
- AISI304 Stainless steel hydroformed vacuum chamber with constant thickness;
- AISI304 Stainless steel bodywork; pump oil drain of the machine body equipped with cover, which prevents the penetration of impurities or insects inside the machine;
- High-thickness blued PMMA (Plexiglass) lid with polished and rounded edges; opens automatically at the end of the cycle;
- Chromed aluminum die-cast hinges;
- Thermal welding protection system;
- Accessory "Easy" for external vacuum in embossed bags;
- 2 PE-filling plates for product adjustment and cycle speed up;

OPTIONALS

- Inert gas injection;
- "Softair" air return at the end of the cycle;
- Second rear sealing bar

ACCESSORIES

- Bags for storage, cooking and "cook & chill"; embossed bags;
- Stainless steel cart with castors and shelf;
- Inclined stainless steel plate for liquid packing;
- Suction device for external containers;

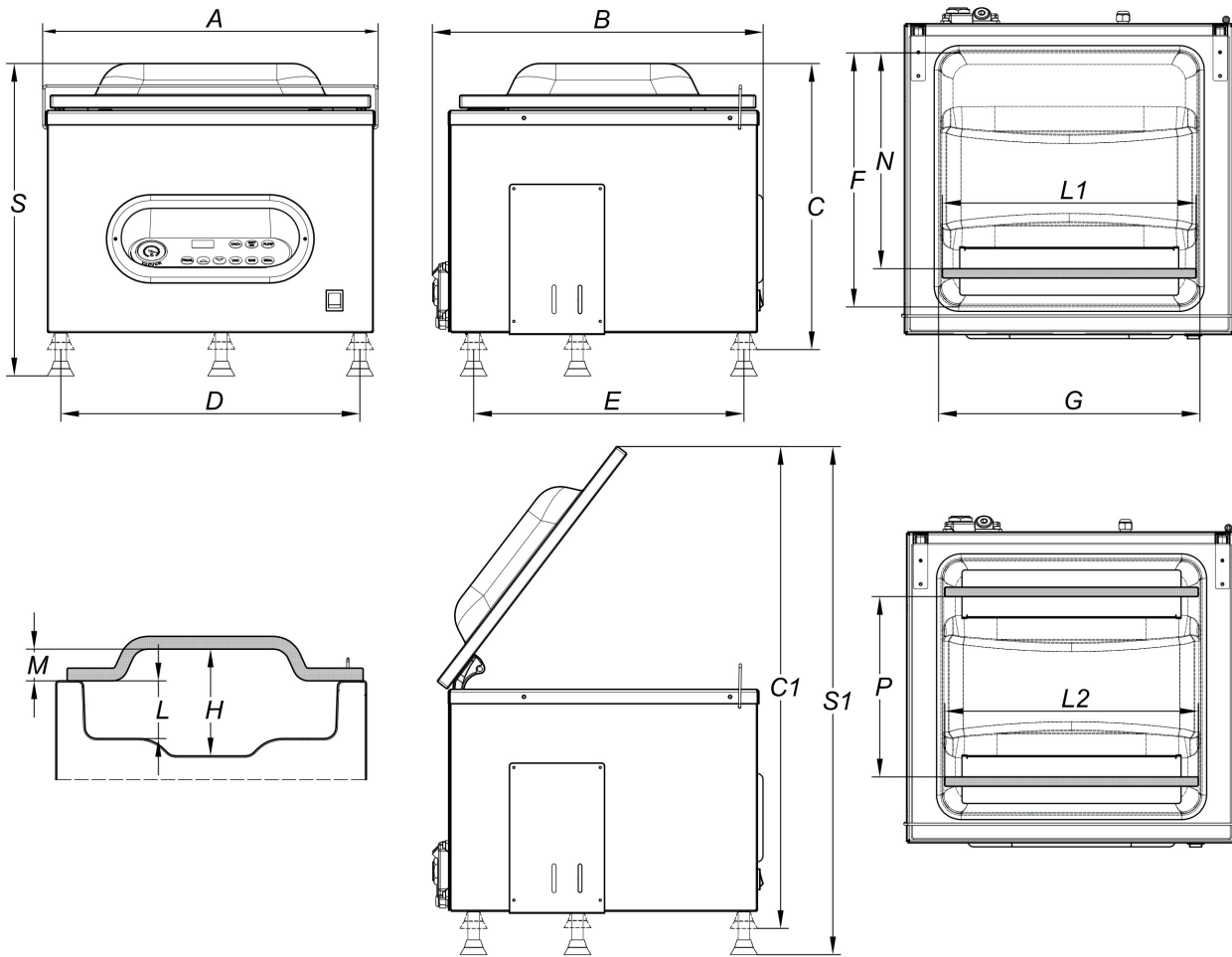


Intertek Intertek

According to:
UL197 / NSF Hygienic standards

PROJECT	DATE	APPROVED
ITEM	QTY	

VACUUM PACKAGING MACHINES VM18



SPECIFICATIONS

Length of seal L1	inch	16,5
Length Of Seal L2	inch	16,5
Nominal pump speed	cf/h	883
Final pressure	mbar	0,5
Chamber size (FxGxH)	inch	17,3x17,8x7,3
Useful chamber space (N)	inch	14,7
Useful space Chamber (P)	inch	12,3
Tank depth (L)	inch	3,9
Chamber volume	Usgal	7,128
Power	W	1600
Electrical voltage/Frequency/Phases	V/Hz	110V / 60Hz / 1Ph+N+PE
Power cord and plug		82,6 inch+IEC / Nema 5
Current	A	14,54
Housing materials		AISI304
Vacuum chamber material		AISI304
Lid material		PMMA (plexiglas)
Overall dimensions (AxBxS)	inch	22,9x22,6x21,5
Overall dimensions (AxBxC)	inch	22,9x22,6x19,5
Maximum height with open lid (C1)	inch	32,9
Maximum height with open lid (S1)	inch	34,8
Distance between supports (DxE)	inch	20,4x18x5
Weight (with filling plates)	lbs	163,1
Noise level	dB(A)	57
Environmental operating temperature (min-max)	°F	53,6-104